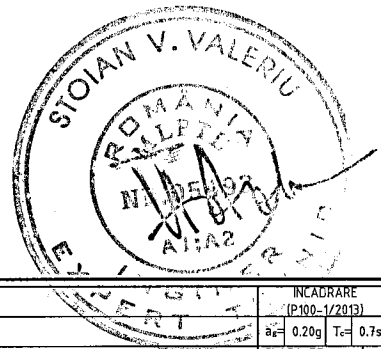
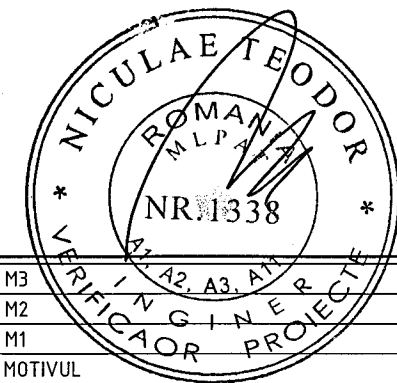
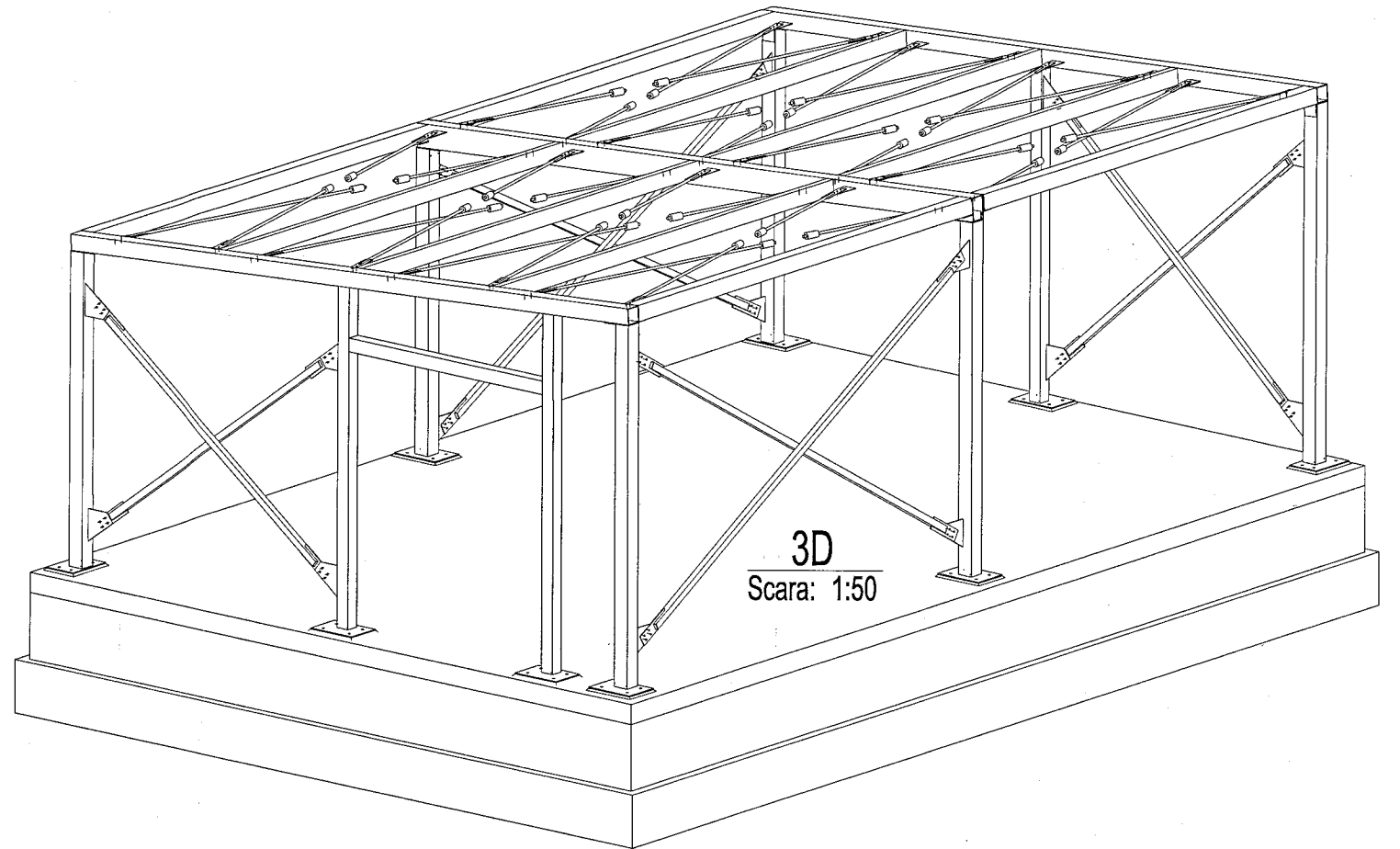




Lista laminate - Camera Pompe

| Profile | Material | NUM | Length [mm] | Length sum | Weight[kg] | Weight sum | Area [m2] | Area sum |
|---------------------------|----------|-----|-------------|------------|------------|---------------|-----------|--------------|
| CFRHS50X50X4 | S235JR | 2 | 2447 | 4894 | 13.4 | 26.7 | 0.46 | 0.91 |
| CFRHS50X50X4 | S235JR | 2 | 2723 | 5445 | 14.9 | 29.7 | 0.51 | 1.01 |
| CFRHS50X50X4 | S235JR | 1 | 3770 | 3770 | 20.6 | 20.6 | 0.7 | 0.7 |
| CFRHS50X50X4 | S235JR | 1 | 3808 | 3808 | 20.8 | 20.8 | 0.71 | 0.71 |
| CFRHS50X50X4 | S235JR | 2 | 3889 | 7777 | 21.2 | 42.4 | 0.72 | 1.45 |
| Sub total, CFRHS50X50X4 | | | | 25695 | | 140.2 | | 4.78 |
| CFRHS100X100X4 | S235JR | 1 | 1800 | 1800 | 21.1 | 21.1 | 0.7 | 0.7 |
| CFRHS100X100X4 | S235JR | 1 | 2540 | 2540 | 29.8 | 29.8 | 0.98 | 0.98 |
| CFRHS100X100X4 | S235JR | 1 | 2555 | 2555 | 30 | 30 | 0.99 | 0.99 |
| CFRHS100X100X4 | S235JR | 1 | 2688 | 2688 | 31.5 | 31.5 | 1.04 | 1.04 |
| Sub total, CFRHS100X100X4 | | | | 9583 | | 112.4 | | 3.7 |
| CFRHS120X60X4 | S235JR | 6 | 3813 | 22880 | 40 | 239.8 | 1.32 | 7.92 |
| Sub total, CFRHS120X60X4 | | | | 22880 | | 239.8 | | 7.92 |
| CFRHS120X120X5 | S235JR | 1 | 2299 | 2299 | 40.3 | 40.3 | 1.06 | 1.06 |
| CFRHS120X120X5 | S235JR | 2 | 2359 | 4719 | 41.4 | 82.8 | 1.09 | 2.18 |
| CFRHS120X120X5 | S235JR | 1 | 2655 | 2655 | 46.6 | 46.6 | 1.23 | 1.23 |
| CFRHS120X120X5 | S235JR | 2 | 2715 | 5429 | 47.6 | 95.3 | 1.26 | 2.51 |
| CFRHS120X120X5 | S235JR | 4 | 3813 | 15254 | 66.9 | 267.7 | 1.76 | 7.06 |
| CFRHS120X120X5 | S235JR | 2 | 5205 | 10409 | 91.3 | 182.7 | 2.41 | 4.82 |
| Sub total, CFRHS120X120X5 | | | | 40765 | | 715.4 | | 18.87 |
| CFRHS180X120X6 | S235JR | 1 | 5205 | 5205 | 141.2 | 141.2 | 3.01 | 3.01 |
| Sub total, CFRHS180X120X6 | | | | 5205 | | 141.2 | | 3.01 |
| L100*6 | S235JR | 4 | 110 | 440 | 1 | 4 | 0.04 | 0.17 |
| Sub total, L100*6 | | | | 440 | | 4 | | 0.17 |
| L120*10 | S235JR | 4 | 110 | 440 | 2 | 7.9 | 0.05 | 0.21 |
| Sub total, L120*10 | | | | 440 | | 7.9 | | 0.21 |
| PD50*15 | S235JR | 16 | 500 | 8000 | 2.5 | 40.4 | 0.04 | 0.57 |
| Sub total, PD50*15 | | | | 8000 | | 40.4 | | 0.57 |
| PL5*7 | S235JR | 64 | 20 | 1277 | 0 | 0.4 | 0 | 0.04 |
| Sub total, PL5*7 | | | | 1277 | | 0.4 | | 0.04 |
| PL5*23 | S235JR | 32 | 50 | 1600 | 0 | 1.4 | 0 | 0.1 |
| Sub total, PL5*23 | | | | 1600 | | 1.4 | | 0.1 |
| PL5*60 | S235JR | 32 | 315 | 10080 | 0.7 | 23.7 | 0.04 | 1.33 |
| Sub total, PL5*60 | | | | 10080 | | 23.7 | | 1.33 |
| PL5*90 | S235JR | 16 | 315 | 5040 | 1.1 | 17.8 | 0.06 | 0.97 |
| Sub total, PL5*90 | | | | 5040 | | 17.8 | | 0.97 |
| PL5*110 | S235JR | 32 | 218 | 6971 | 0.7 | 22.1 | 0.04 | 1.22 |
| Sub total, PL5*110 | | | | 6971 | | 22.1 | | 1.22 |
| PL5*173 | S235JR | 2 | 253 | 505 | 1.2 | 2.3 | 0.06 | 0.12 |
| Sub total, PL5*173 | | | | 505 | | 2.3 | | 0.12 |
| PL5*176 | S235JR | 2 | 255 | 511 | 1.2 | 2.3 | 0.06 | 0.13 |
| Sub total, PL5*176 | | | | 511 | | 2.3 | | 0.13 |
| PL5*181 | S235JR | 4 | 261 | 1045 | 1.2 | 4.8 | 0.07 | 0.26 |
| Sub total, PL5*181 | | | | 1045 | | 4.8 | | 0.26 |
| PL5*194 | S235JR | 4 | 284 | 1136 | 1.3 | 5.3 | 0.07 | 0.29 |
| Sub total, PL5*194 | | | | 1136 | | 5.3 | | 0.29 |
| PL5*199 | S235JR | 4 | 299 | 1197 | 1.4 | 5.6 | 0.07 | 0.3 |
| Sub total, PL5*199 | | | | 1197 | | 5.6 | | 0.3 |
| PL6*120 | S235JR | 6 | 221 | 1325 | 1.2 | 7.5 | 0.06 | 0.34 |
| Sub total, PL6*120 | | | | 1325 | | 7.5 | | 0.34 |
| PL7*250 | S235JR | 2 | 370 | 740 | 5.1 | 10.2 | 0.19 | 0.39 |
| Sub total, PL7*250 | | | | 740 | | 10.2 | | 0.39 |
| PL7*270 | S235JR | 7 | 380 | 2660 | 5.6 | 39.5 | 0.21 | 1.5 |
| Sub total, PL7*270 | | | | 2660 | | 39.5 | | 1.5 |
| PL15*280 | GROUT | 2 | 400 | 800 | 0 | 0 | 0.23 | 0.46 |
| Sub total, PL15*280 | | | | 800 | | 0 | | 0.46 |
| PL15*300 | GROUT | 7 | 410 | 2870 | 0 | 0 | 0.25 | 1.78 |
| Sub total, PL15*300 | | | | 2870 | | 0 | | 1.78 |
| ROD20 | S235JR | 1 | 1114 | 1114 | 2.4 | 2.4 | 0.07 | 0.07 |
| ROD20 | S235JR | 3 | 1115 | 3344 | 2.4 | 7.1 | 0.07 | 0.22 |
| ROD20 | S235JR | 4 | 1118 | 4472 | 2.4 | 9.5 | 0.07 | 0.29 |
| ROD20 | S235JR | 4 | 1338 | 5351 | 2.9 | 11.4 | 0.09 | 0.35 |
| ROD20 | S235JR | 4 | 1341 | 5365 | 2.9 | 11.5 | 0.09 | 0.35 |
| ROD20 | S235JR | 8 | 1891 | 15128 | 4.1 | 32.7 | 0.12 | 0.96 |
| ROD20 | S235JR | 7 | 2114 | 14800 | 4.6 | 32.1 | 0.13 | 0.94 |
| ROD20 | S235JR | 1 | 2115 | 2115 | 4.6 | 4.6 | 0.13 | 0.13 |
| Sub total, ROD20 | | | | 51689 | | 111.2 | | 3.3 |
| Total: | | | | | | 1655.4 | | 51.76 |



PLANUL SE VA CITI IMPREUNA CU PLANURILE DE ARHITECTURA SI INSTALATIIL
PLANUL SE VA CITI IMPREUNA CU NOTELE TECHNOLOGICE. PROIECTUL NU SE VA
EXECUTA FARA OBTINEREA AUTORIZATIEI DE CONSTRUIRE.

| | | | | |
|--|----------------------|---------|---|---------------------------|
| REV3 | DATA3 | M3 | | INCADRARE (P100-1/2013) |
| REV2 | DATA2 | M2 | | αc= 0.20g Tc= 0.7s |
| REV01 | DATA1 | M1 | | CLASA DE IMPORTANTA I |
| REV. | DATA | MOTIVUL | | CATEGORIA DE IMPORTANTA C |
| NUME PROIECT / PROJECT NAME: Modernizarea si reabilitarea energetica a Centrului de pregatire si refacere/recuperare a capacitatii de munca Diana-Safurn, Mangalia judetul Constanta | | | | |
| Judet Constanta, mun. Mangalia, statiunea Safurn, strada Greenport, nr. 2-2D, NC102305, NC102304, NC102303, NC102228 | | | | |
| ADRESA PROIECT / PROJECT ADRESS: | | | | |
| PROIECTANT GENERAL / GENERAL DESIGNER:  S.C. NEO STRUCTURAL ENGINEERING S.R.L. Str. Gragalui, nr. 7A, Sector 4, Bucuresti Tel: 0742.409.810 / 0722.306.514 EMAIL: stefan.burciu@neogrup.ro / angelica.burciu@neogrup.ro | | | BENEFICIAR / CLIENT: MINISTERUL AFACERILOR INTERNE | |
| PROIECTANT STRUCTURA / STRUCTURAL DESIGNER:  S.C. NEO STRUCTURAL ENGINEERING S.R.L. Str. Gragalui, nr. 7A, Sector 4, Bucuresti Tel: 0742.409.810 / 0722.306.514 EMAIL: stefan.burciu@neogrup.ro / angelica.burciu@neogrup.ro | | | TITLU PLANSA / PLAN NAME: Axonometrie | |
| PROIECTAT / DESIGNED | ing. Burciu Stefan | | SCARA / SCALE: | COD PROIECT / PROJECT NO: |
| DESENAT / DRAWN | ing. Ardelean Adrian | | 1:10 | 03/2025 |
| VERIFICAT / CHECKED | ing. Burciu Stefan | | REV: | 00 |
| | DATA / DATE: | 03.2025 | FAZA / PHASE: | P.T |
| | | | PLAN NR: | R.cp.01 |
| COPYRIGHT © by NEO STRUCTURAL ENGINEERING SRL. All Rights Reserved. Nici o parte din acest document nu poate fi copiată, modificată sau multiplicată fără acordul scris al NEO STRUCTURAL ENGINEERING SRL. Orice modificare a acestui document fără acordul scris al NEO STRUCTURAL ENGINEERING SRL. îl va anula în mod automat. No part of this document may be reproduced, modified or copied w/o the written permission of NEO STRUCTURAL ENGINEERING SRL. Any changes to this document w/o the written permission of NEO STRUCTURAL ENGINEERING SRL. will render it void & unusable. | | | | |

L20mm x 297mm